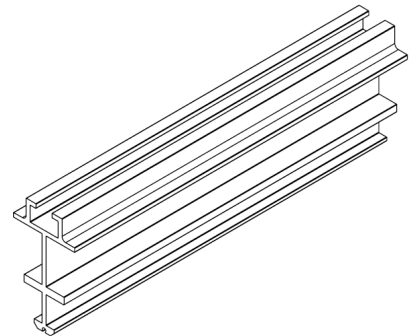
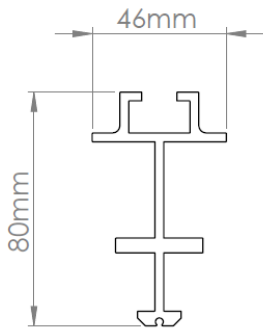


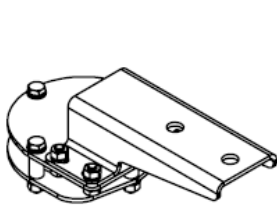
ShowTrek ST-001 Curtain Track



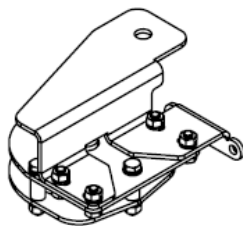
ShowTrek ST-001 Curtain Track is a Heavy Duty solution for Theatrical or Commercial curtains.

- 2.7m maximum span between fixings
- Extruded aluminium construction
- Satin black powder-coat finish
- Continuous lengths up to 6.5m
- Integrated slide-nut channel for easy fixing of accessories
- Quiet curtain runners with ball bearing wheels and plastic tires

Standard Pulleys



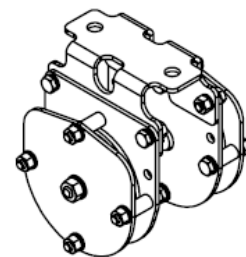
Return Pulley for
Single Tracks



Return Pulley for
Overlapping Tracks



Centre Pickup
Pulley

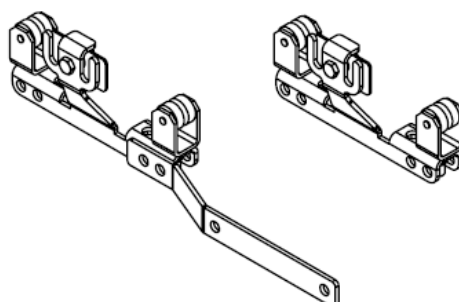


Double End
Drop Pulley

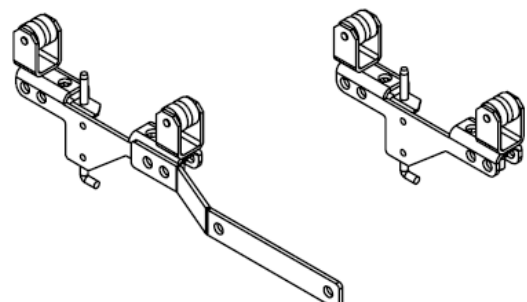


Sprung Floor
Pulley

Leader Options



Rope leaders with cranked option



Braked leaders with cranked option